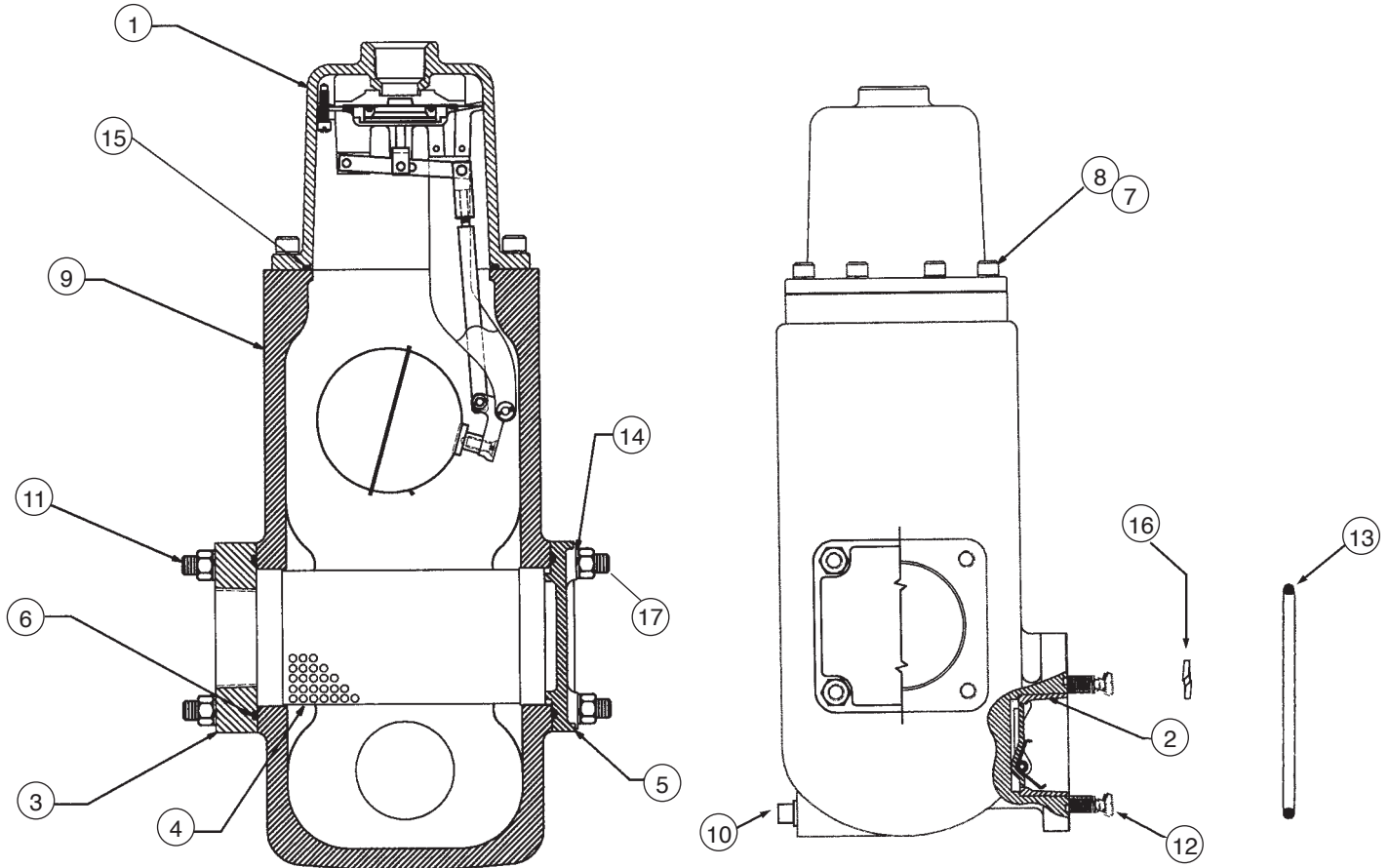


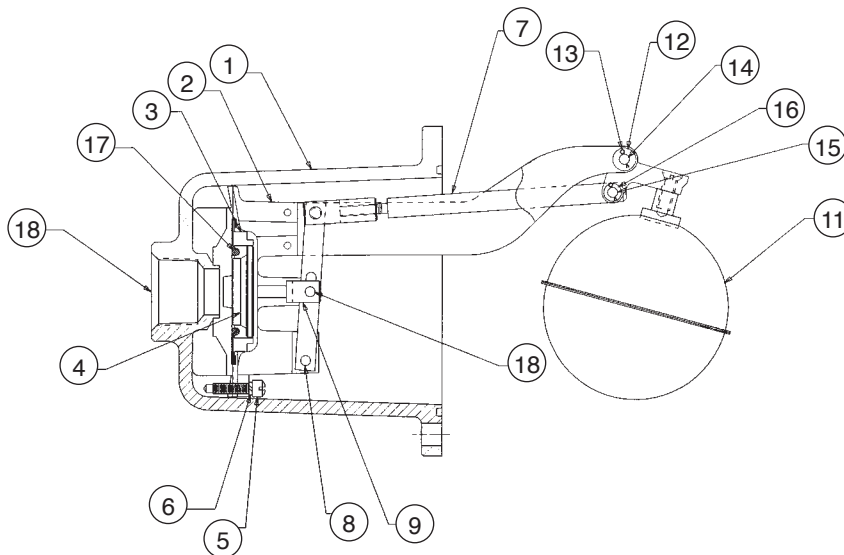
# Type 4-MT Air Release



**NOTE:**

1. TORQUE PER E.S. #10100
2. APPLY ANTI-SEIZE THREAD COMPOUND TO ITEM #8

# Type 4-MT Air Release Cover



## Part Number 40085-701

Index	Description	Part No.
1	Cover Complete 2" Type 4 Extended, Viton	400087-001
2	Valve Complete Shutoff 2" Type 4 A/R	083459-000
3	Flange, 2" Companion	086814-001
4	Strainer Complete 40 Mesh 2" Type 4-MT	101405-002
5	Cover, 2" Strainer	600103-000
6	O-Ring 1/8 Dia. x 3-3/4 ID BUNA	100139-018
7	Washer, 3/8 Lock	100440-001
8	Screw, 3/8-16 x 1 Soc. Head Cap	008325-014
9	Assembly, 2" Air Release	400086-701
10	Pipe Plug 3/8" Sq. Head	100075-010
11	Bolt, 7/16-14 x 1-3/4 Hex	600393-001
12	Bolt, 5/8-11x 1-3/4	100085-048
13	O-Ring 1/8 Dia. x 3-3/8 ID BUNA	100139-013
14	Washer, Lock 7/16 Heavy	41012-002
15	O-Ring, 1/8 Dia. x 4-1/2 ID BUNA	100139-022
16	Washer, 5/8 Lock	041395-000
17	Bolt, 7/16 - 14 x 1-3/8 HEX	000795-003

Strainer, 16 Mesh	101405-001
Strainer, 40 Mesh	101405-002
Strainer, 60 Mesh	101405-003
Strainer, 80 Mesh	101405-004
Strainer, 108 Mesh	101405-005

## Part Number 40087-701\*

Index	Description	Part No.
1	Cover, A/R 2" Type 4 Extension	082451-008
2	Housing Assembly, 2" Type 4 Extended A/R	083457-004
3	Sleeve, Air Release, Aluminum	082446-005
4	Valve Assy., Main - Bronze - Viton	089274-010
5	Screw, 10-32 x 5/8 Fil. Hd. 303 SST	041221-002
6	Washer, Lock No. 10 Spring Steel	041211-000
7	Link Asm., Connecting Adjustable (Alum)	1001120
8	Pin, 0.187 OD 21/32 LG	040819-002
9	Stem, Valve PST Type A/Rel. BRZ	083127-001
10	Pin, Valve Lever & Stem Air Release	042941-000
11	Float Complete	082476-001
12	Spacer Drive Gear Hub VSB Reg. BRS	040491-000
13	Pin, Cotter 1/16 Dia. x 1/2 Lg.	041402-000
14	Pin, Float Lever - A/R Valve	040820-003
15	Pin, V Connection 3/16 OD x 11/16 LG., BRZ	082633-000
16	Washer No. 10 Screw	041989-000
17	Seal, Piston Viton A.	083179-002
18	Cap Lug	085257-012

\* Note: For Field retrofit use 400087-702