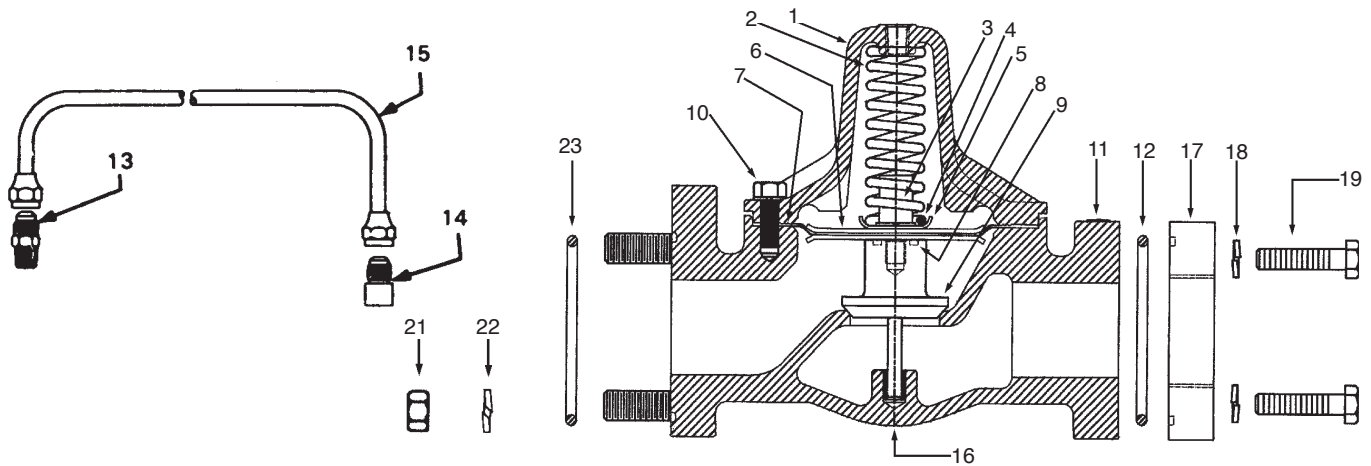


Differential Valve - Type 4D-MT



Part Number: 400070-701 w/2" Companion Flange
 400070-702 w/1-1/2" Companion Flange

Index	Description	Part No.
1	Cover	400000-001
2	Spring, Valve	83775-000
	Diaphragm Complete	1001569
3	Screw, Diaphragm	83774-002
4	Lockwasher, 7/16 steel	41012-002
5	Retainer, Spring	83773-000
6	Retainer, Diaphragm	83772-002
7	Diaphragm	1000624
8	Gasket, O-ring	100139-001
9	Valve Stem Assembled	83927-002
10	Screw, 3/8 - 16 x 1-1/4, hex hd steel	100067-051
	Screw, 3/8 - 16 x 1-1/4, hex hd steel (with seal hole)	100068-050
10A	Lockwasher, 3/8 steel (not shown)	45828-001
11	Body	400013-703
	(stud)	1931-000
12	Gasket, O-Ring 1/8 x 3-3/4	100139-018
13	Fitting, Straight, 3/8 flared tube (male half)	84826-000
14	Fitting, Elbow, 3/8 flared tube (male half)	84825-001
15	Tube, Connecting, with Nuts	84823-000
	Tube, Connecting, with Nuts (Angle configuration)	84821-000
16	Bushing	8343-001
17	Flange, 2" NPT	86814-001
	Flange, 1-1/2" NPT	86814-002
18	Lockwasher	41012-002
19	Screw	100071-101
20	Ventline Check Valve (not shown)	84828-000
21	Nut 5/8-11	41224-000
22	Lockwasher	41395-000
23	Gasket, O-Ring	100139-013