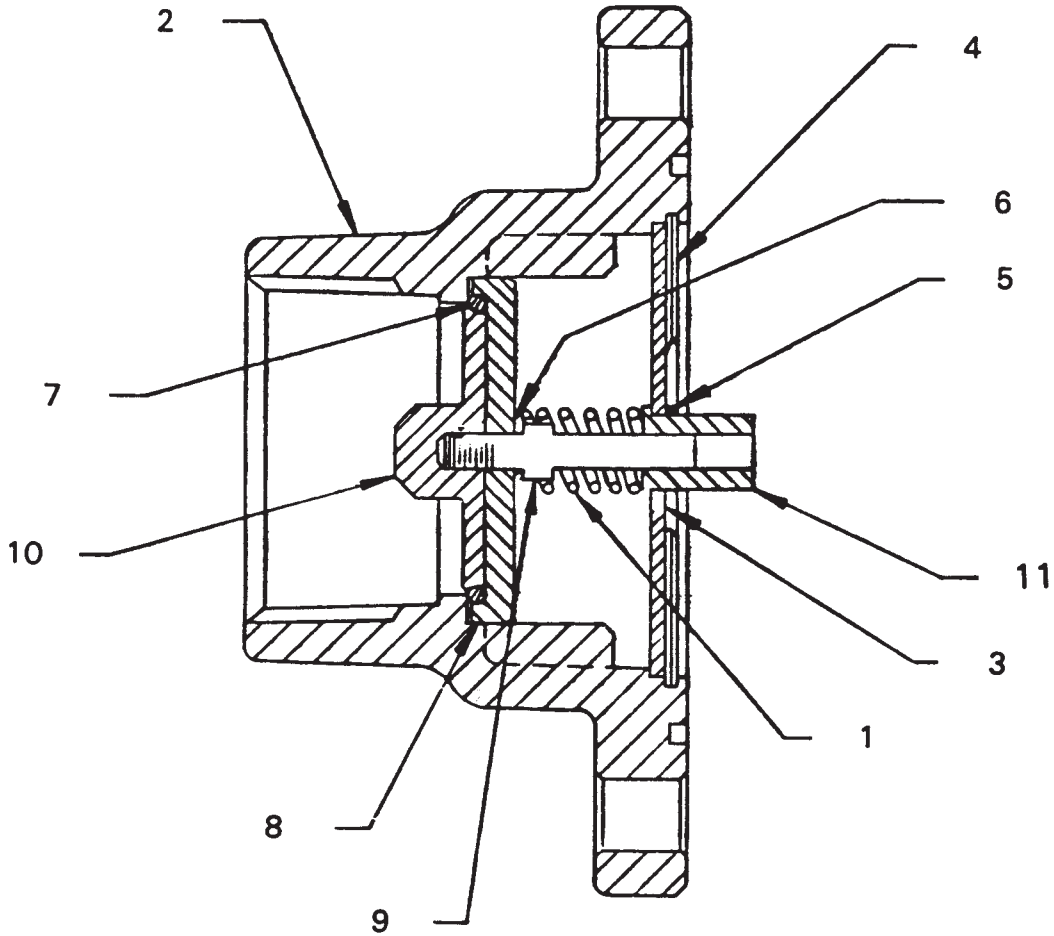


“Soft Seat” Inlet Check Valve Type 4D-MT



Part Number 084813-702

| Index | Description | Part No. |
|-------|-------------------------|------------|
| 1 | Spring | 83492-000 |
| 2 | Flange, Inlet | 84814-003 |
| 3 | Strap, Inlet | 84816-001 |
| 4 | Ring, Retaining | 84817-000 |
| 5 | Ring, Retaining, Truarc | 86071-000 |
| 6 | Washer, Lock | 041117-000 |
| 7 | “O” Ring | 100139-032 |
| 8 | Holder | 100374-002 |
| 9 | Shaft | 100896-001 |
| 10 | Retainer | 100898-001 |
| 11 | Bearing | 100899-001 |