

# Flowmatic Valve Breakdown

Figure 4A:  
Exploded View of Flowmatic® Valve

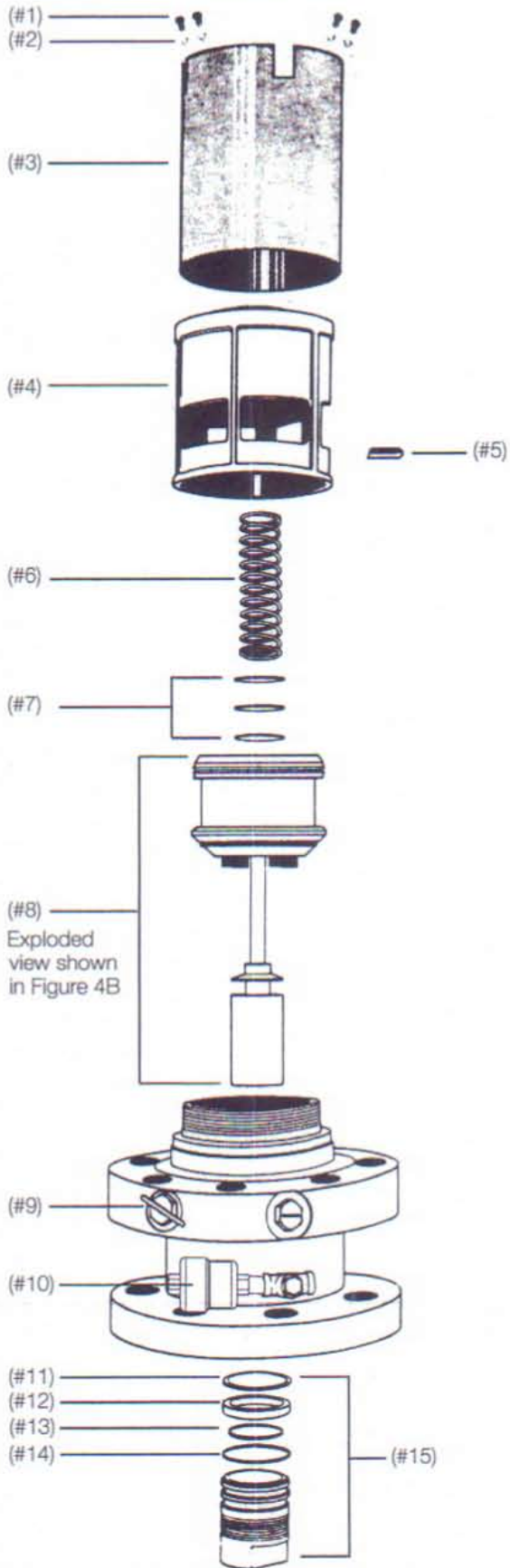


Figure 4B:  
Exploded View of Seat Disc & Piston Assembly

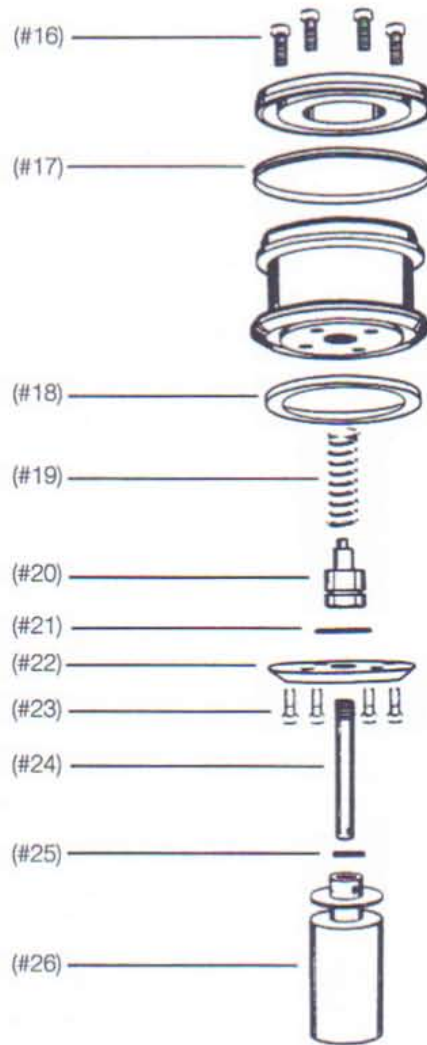


Figure 4C:  
FlowMatic Gaskets

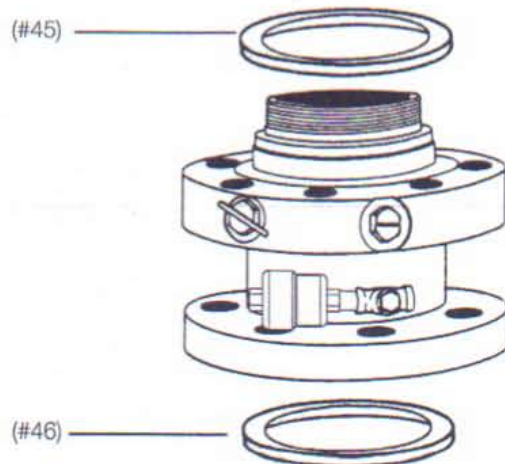
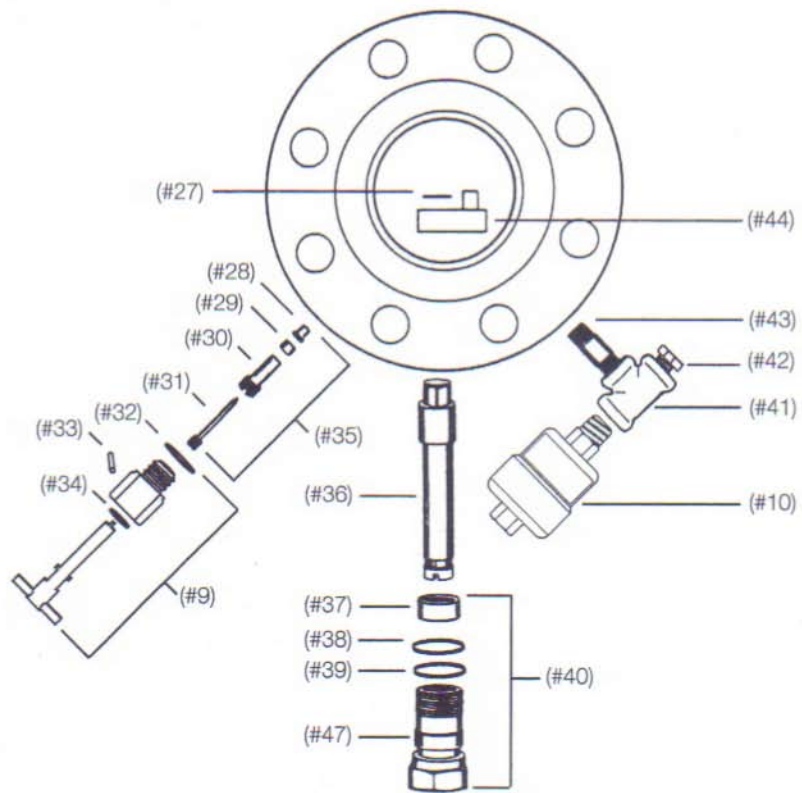


Figure 4D:  
Exploded View of Flomatic Valve



**NOTE:** Parts not identified by key numbers are not available individually. They must be purchased in an assembly.

Flomatic® Parts Key

Key	Description	Component Part Number		A7883F-50	A7883F-80	A7884F-80	A7883F-150	A7884F-150
		A7883F (3")	A7884F (4")					
1	Cap Screws	A7884-54		4	4	4		
2	Lock washer	4357-15		4				
3	Strainer	A7883-25SS	7884-25SS					
4	Cylinder	A7883-2SS	7884-2SS					
5	Set Screw	A7883-26		1				
6	Spring	7884-24SS		1				
7	Filter-Coarse	7884-47SS		2	2	2		
7	Filter-Fine	7884-48SS		1	1	1		
8	Seat Disc & Piston Assembly	A7883-21						
9	Prime Valve Assembly	A7884-60	A7884-59					
10	Filter	A7884-201						
11	Gasket	7884-54K		1	1	1		
12	Seal Ring Retainer	7884-4SS		1				
13	X-Seal	7884-6T		1	1	1		
14	O-Ring	7884-37		1	1	1		
15	Piston Retainer Assembly	7884-22SS						
16	Cap Screws	A7884-26		4				
17	X-Seal	A7883-7T	7884-7T		1	1	1	1
18	Seat Disc	A7883-5	7884-5		1	1	1	1
19	Spring	7884-26SS		1				
20	Bleeder Assembly	7884-16SS		1				
21	Gasket	7513-10T		1	1	1		
22	Seat Disc Holder	A7883-4	A7884-4					
23	Cap Screws	3134-9		4				
24	Stem	7884-10SS						
25	Roll Pin	6394-28		1				
26	Pilot Piston	7884-28SS						
27	Retaining Ring	7884-11SS		1	1	1		
28	Seat	A7883F-37SS						
29	Seal	A7883F-36T						
30	Stem Guide	A7883F-35SS						
31	Stem	A7883F-34SS						
32	Gasket	7884-33		1	1	1		
33	Roll Pin	7199-28SS						
34	O-Ring	3294C-8						
35	Stem Assembly	A7883F-45		1				
36	Indicating Stem	A7883-14SS	7884-14SS					
37	Bushing	7884-17T		1	1	1		
38	V-Ring	7884-19		1	1	1		
39	O-Ring	7884-15		1	1	1		
40	Packing Nut Assembly	7884-40SST						
41	1/4" Tee	A7884-49						
42	1/4" Plug	A985B						
43	1/4" Nipple	A7884-48						
44	Lever Arm Assembly	A7884-35						
45	Gasket- Upper	A7883-29	7884-29		1	1	1	1
46	Gasket- Lower	A7883-30	7565-48		1	1	1	1
47	O-Ring	7513-25		1	1	1		