

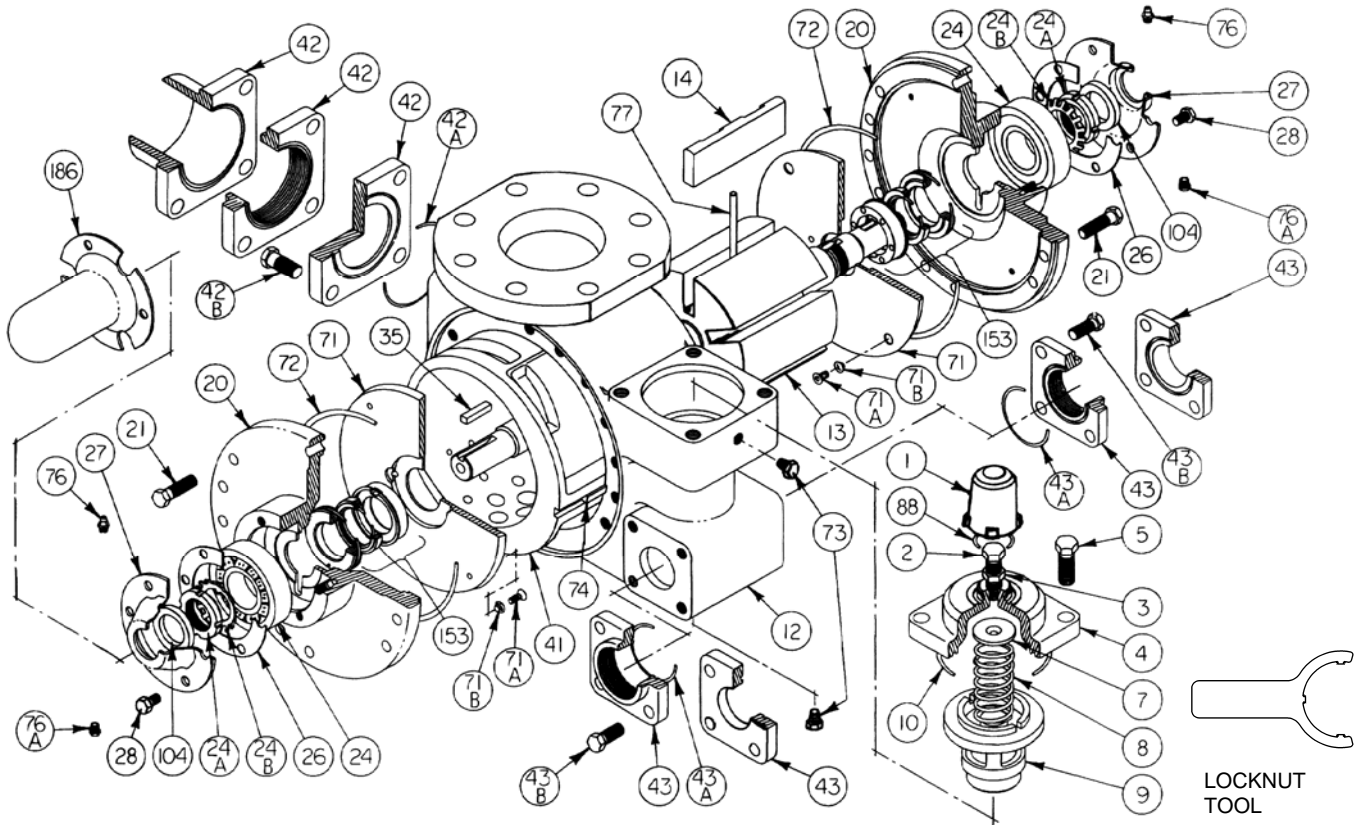
BLACKMER PARTS LIST

PUMP MODEL: TLGLF4B

962011 **PARTS LIST**
Page 1 of 2 **501-E03**

Section 501
Effective Jun 2011
Replaces Jan 2010

Keep with 501-E00 for Installation, Operation and Maintenance Instructions



Ref. No.	Description	Parts Per Pump	Part No.	Ref. No.	Description	Parts Per Pump	Part No.
1	Cap - Relief Valve (R/V)	1	413957	42A	O-Ring – Aux. Inlet Flanges	1	701937
2	Adjusting Screw - R/V	1	436310	42B	Capscrew - 3" NPT Flange	4	920663
3	Locknut - Adjusting Screw	1	432039		Capscrew - 3", 4" Weld Flange; Blank Flange		920640
4	Cover - R/V	1	412001	TWIN DISCHARGE PORT OPTIONS			
5	Capscrews - R/V Cover	4	920663	43	Flange - 2" NPT	2	652010
7	Spring Guide - R/V	1	426355		Flange - 2" Weld		652024
8	Spring - R/V	1	472039	43A	O-Ring - 2" Discharge Flanges	2	1 702004
9	Valve - R/V	1	452001	43B	Capscrew - Discharge Flange	8	920491
10	O-Ring - R/V Cover	1	1 701946	71	Disc	2	1 062039
12	Casing	1	012041	71A	Machine Screw - Disc	8	2 920015
13	Rotor & Shaft Asy. (includes Ref. No. 24A & 24B)	1	2 262041	71B	Lockwasher - Machine Screw	8	2 909634
14	Vane - Duravane	6	1 092019	72	O-Ring - Head	2	1 702039
20	Head	2	032041	73	Gage Plug	2	908198
21	Capscrews - Head	28	920532	74	Key - Liner	1	2 182040
24	Ball Bearing	2	1 903166	76	Grease Fitting	2	317815
24A	Locknut - Bearing	2	2 903541	76A	Grease Relief Fitting	2	701992
24B	Lockwasher - Bearing	2	1 903542	77	Push Rod - Composite	3	1 122009
26	Gasket - Bearing Cover	2	1 385125	88	O-Ring - R/V Cap	1	1 701926
27	Bearing Cover	2	041815	104	Grease Seal	2	1 331908
28	Capscrews - Bearing Cover	12	920285	186	Shaft, Protector	1	341801
35	Key - Shaft	1	1 909183		Tool - Locknut		903092
41	Liner	1	2 182000		Kit – Maintenance		898922
AUXILIARY INLET OPTIONS					Kit – Rebuild		899022
42	Flange - 3" NPT	1	652012				
	Flange - 4" Weld		652005				
	Flange - 3" Weld		652007				
	Flange - Blank		652000				

¹ Included in Maintenance Kit and Rebuild Kit

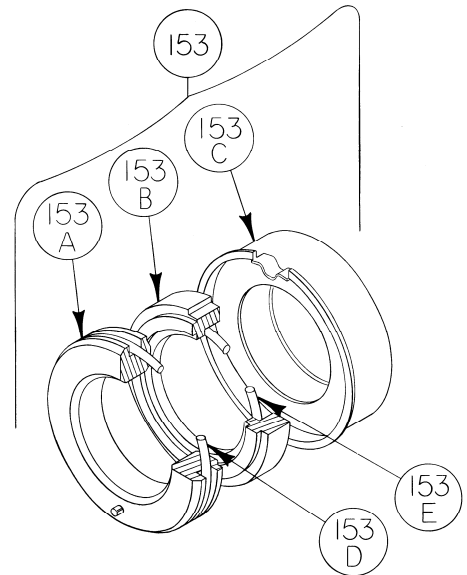
² Included in Rebuild Kit

MECHANICAL SEAL

Ref. No.	Part Name	Parts Per Pump	Part No.
153	Mechanical Seal Assembly	2	¹ 332050
153A	Stationary Seat (Hardened Steel)	2	**
153B	Seal Face (Carbon)	2	**
153C	Jacket Assembly	2	**
153D	O-Ring - Stationary (Buna-N)	2	701934
153E	O-Ring - Rotating (Buna-N)	2	711912

¹ Included in Maintenance Kit and Rebuild Kit

** NOTE: Mechanical Seal Assy. (Ref. 153) is only sold as a complete assembly.
Ref. Nos. 153A, 153B & 153C are not available as separate replacement parts.



OPTIONAL HYDRAULIC MOTOR ADAPTER PARTS

Ref. No.	Part Name	Parts Per Pump	Part No.
See Below	Hydraulic Motor Adapter Kit	See Below	892037
26A	Gasket – Hydraulic Motor Adapter	1	381817
28A	Capscrew – Hydraulic Motor Adapter / Head	6	920369
34	Coupling w/ Setscrew – 1.25" straight key hyd. motor shaft	1	906970
35	Key – Coupling	1	909184
76	Grease Fitting	1	317815
76A	Grease Relief Fitting	1	701992
135	Hydraulic Motor Adapter – SAE A Flange	1	041829
135A	Capscrew – Adapter / Motor	2	920510

