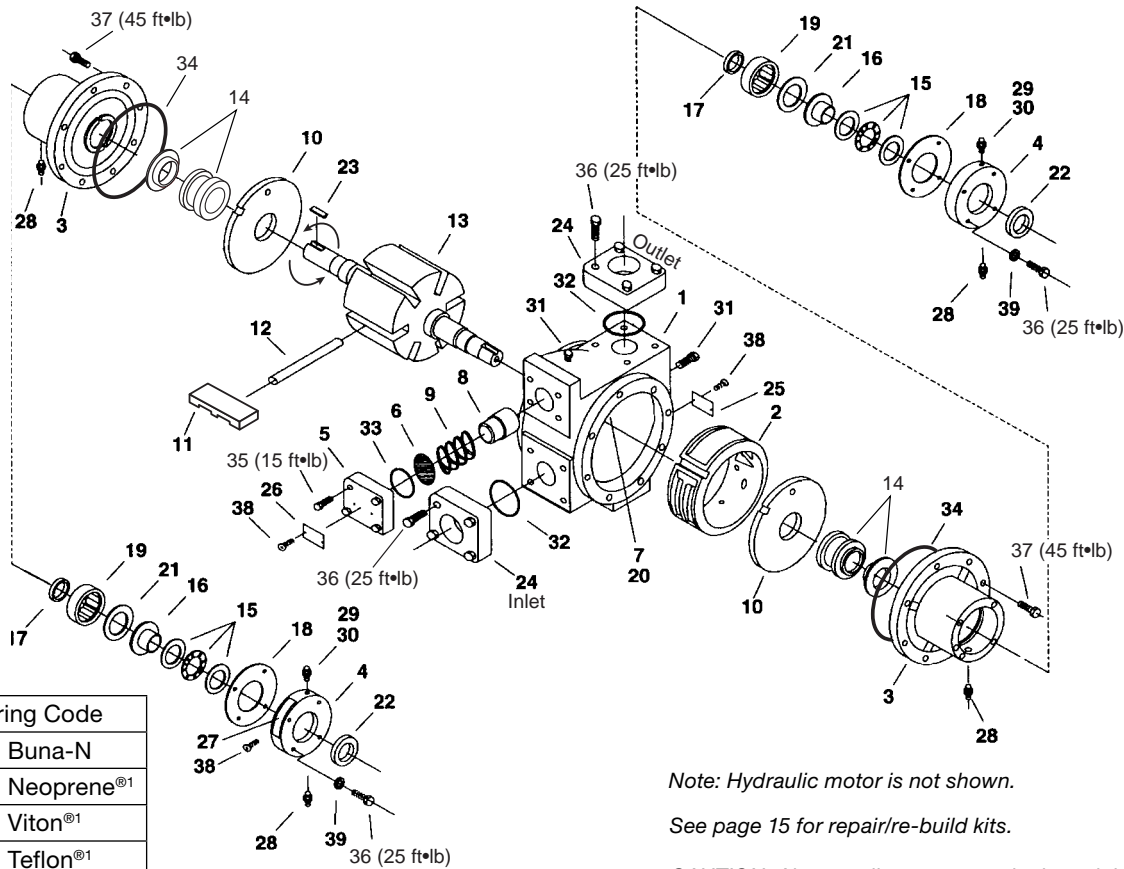


# Appendix E—Parts Details for Models Z/ZH/ZX/ZXH2000



O-ring Code	
A	Buna-N
B	Neoprene <sup>®1</sup>
D	Viton <sup>®1</sup>
E	Teflon <sup>®1</sup>

Note: Hydraulic motor is not shown.

See page 15 for repair/re-build kits.

**CAUTION:** Always relieve pressure in the unit before attempting any repairs.

Ref. No.	Part No.	Description	Qty
1.	4413	Case	1
2.	4414	Cam	1
3.	4416	Head	2
4.	4417	Bearing cap	2
5.	1174-3	Relief valve cap	1
6.	4282	Shim (Z2000, ZH2000)	1
		Shim (ZX2000, ZXH2000)	3
7.	4424	Cam key	1
8.	4425	Relief valve	1
9.	4426	Relief valve spring (Z2000, ZH2000)	1
	1240	Relief valve spring (ZX2000, ZXH2000)	1
10.	4427	Sideplate	2
11.	4428	Vane <sup>2</sup>	6
12.	4262-X	Vane driver	3
13.	4430-X2R	Rotor—shaft assembly	1
14.	4431-X_2	Mechanical seal assembly <sup>3</sup>	2
15.	4432	Thrust bearing assembly	2
16.	4435	Bearing race mounting ring	2
17.	4438	Grease seal	2
18.	4439	Bearing cap shim (.002) red	As req.
	4439-1	Bearing cap shim (.010) brown	
	4439-2	Bearing cap shim (.020) yellow	

Ref. No.	Part No.	Description	Qty
19.	2754-X	Bearing	2
20.	3253	Cam key pin	2
21.	2760-244	Retainer ring	2
22.	4441	Grease seal	2
23.	2270	Shaft key—1/4" x 1-9/16"	2
24.	4479-2	Flange—2" NPT	2
	4479-2S	Flange—2" welded	
25.	2649	Nameplate	1
26.	4248	Relief valve nameplate (Z2000, ZH2000)	1
	4248-1	Relief valve nameplate (ZX2000, ZXH2000)	1
27.	1359	Lubrication instruction plate	2
28.	1343	1/8" NPT relief fitting	4
29.	2158	1/8" NPT grease zerk	2
30.	2159	Lubricap	2
31.	3442	1/4" NPT pipe plug	2
32.	2-231_	O-ring—flange <sup>3</sup>	2
33.	2-224_	O-ring—relief valve cap <sup>3</sup>	1
34.	2-261_	O-ring—case <sup>3</sup>	2
35.	7001-031-NC125A	Bolt—hexagon head	4
36.	7001-037-NC150A	Bolt—hexagon head	16
37.	7001-043-NC125A	Bolt—hexagon head	16
38.	7012-006-SF025E	Screw	8
39.	7206-037A	Lockwasher	8

<sup>1</sup>Registered trademarks of the DuPont company.

<sup>2</sup>Slots in vanes must face TOWARDS the direction of rotation.

<sup>3</sup>\_ denotes O-ring code. See chart above.