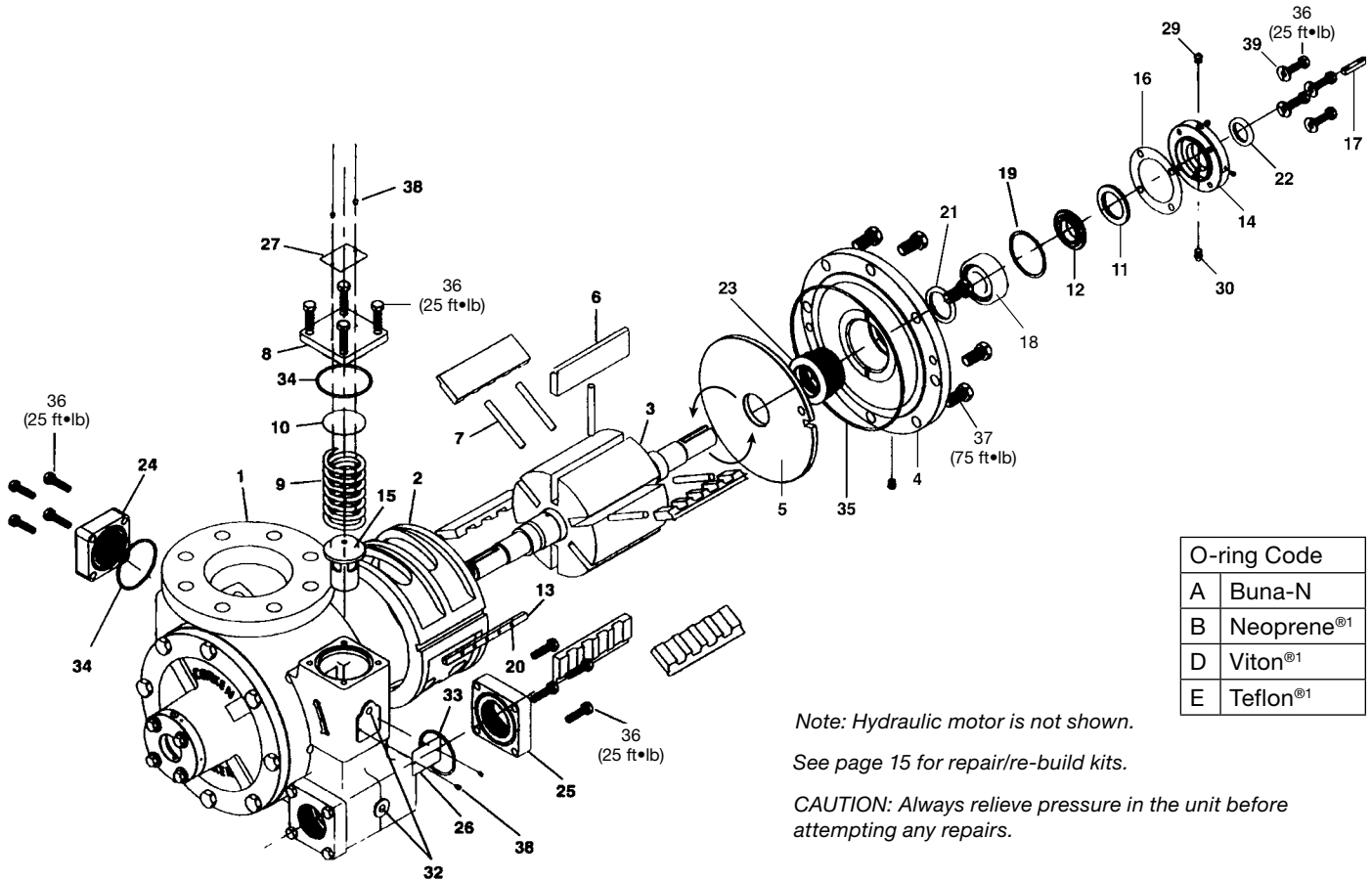


Appendix E—Parts Details for Models Z/ZH4200



Note: Hydraulic motor is not shown.

See page 15 for repair/re-build kits.

CAUTION: Always relieve pressure in the unit before attempting any repairs.

| Ref. No. | Part No. | Description | Qty |
|----------|----------|-----------------------------------|---------|
| 1. | 4442 | Case ² | 1 |
| 2. | 4443 | Cam ² | 1 |
| 3. | 4444-X2R | Rotor-shaft assembly ² | 1 |
| 4. | 4445 | Head ² | 2 |
| 5. | 4446 | Sideplate | 2 |
| 6. | 4448 | Vane ³ | 6 |
| 7. | 4449-X | Vane driver | 5 |
| 8. | 4450 | Relief valve cap | 1 |
| 9. | 4451 | Relief valve spring | 1 |
| 10. | 4452 | Shim | 1 |
| 11. | 4453 | Thrust bearing assembly | 2 |
| 12. | 4454 | Bearing race mounting ring | 2 |
| 13. | 4455 | Cam key | 1 |
| 14. | 4456 | Bearing cap | 2 |
| 15. | 4457 | Relief valve | 1 |
| 16. | 4458 | Bearing cap shim (.002) red | As req. |
| | 4458-1 | Bearing cap shim (.010) brown | |
| | 4458-2 | Bearing cap shim (.020) yellow | |
| 17. | 4459 | Shaft key—5/16 x 1-3/4 | 1 |
| 18. | 4460-X | Roller bearing | 2 |
| 19. | 2760-283 | Retainer ring | 2 |

| Ref. No. | Part No. | Description | Qty |
|----------|----------------|--|-----|
| 20. | 3253 | Cam key pin | 5 |
| 21. | 4462 | Grease seal | 2 |
| 22. | 4463 | Grease seal | 2 |
| 23. | 4464-X_2 | Mechanical seal assembly ² | 2 |
| 24. | 1172-2 | Aux. inlet flange—2" NPT | 1 |
| | 1172-2S | Aux. inlet flange—2" WF | 1 |
| | 1920-3 | Aux. inlet flange—blind | 1 |
| 25. | 4479-2S | Discharge flange—2" WF | 2 |
| | 4981-2 | Discharge flange—2" NPT | |
| 26. | 2649 | Nameplate | 1 |
| 27. | 4248 | Relief valve nameplate | 1 |
| 28. | 1359 | Lubrication instruction plate | 2 |
| 29. | 1343 | 1/8 NPT relief fitting | 4 |
| 30. | 2158 | 1/8 NPT grease zerk | 2 |
| 31. | 2159 | Lubricap ² | 2 |
| 32. | 3442 | 1/4 NPT pipe plug | 2 |
| 33. | 2-231_ | O-ring—discharge flange ² | 2 |
| 34. | 2-234_ | O-ring—auxiliary inlet flange ² | 1 |
| 35. | 2-270_ | O-ring—case ² | 2 |
| 36. | 7001-037NC150A | Bolt—hexagon head | 24 |
| 37. | 7001-062NC125A | Bolt—hexagon head | 16 |
| 38. | 7012-006SF019E | Screw | 8 |
| 39. | 7206-037A | Lockwasher | 8 |

¹Registered trademarks of the DuPont company.

² _ denotes O-ring code. See chart above.

³Slots in vanes must face TOWARDS the direction of rotation