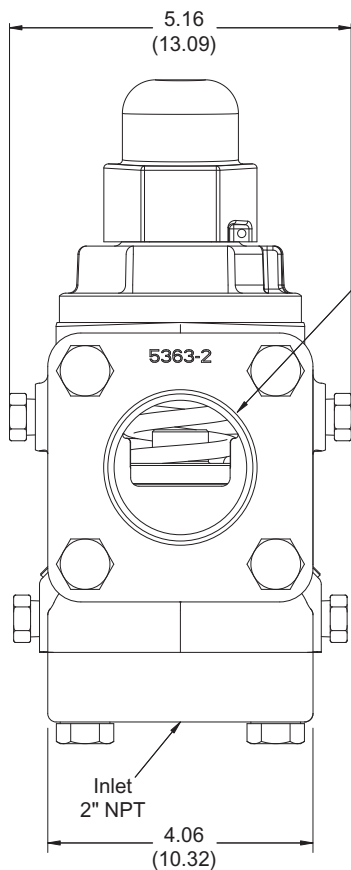
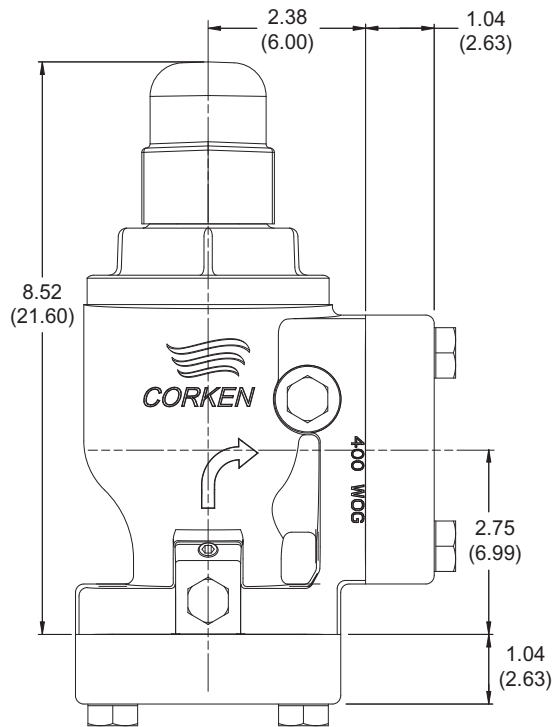


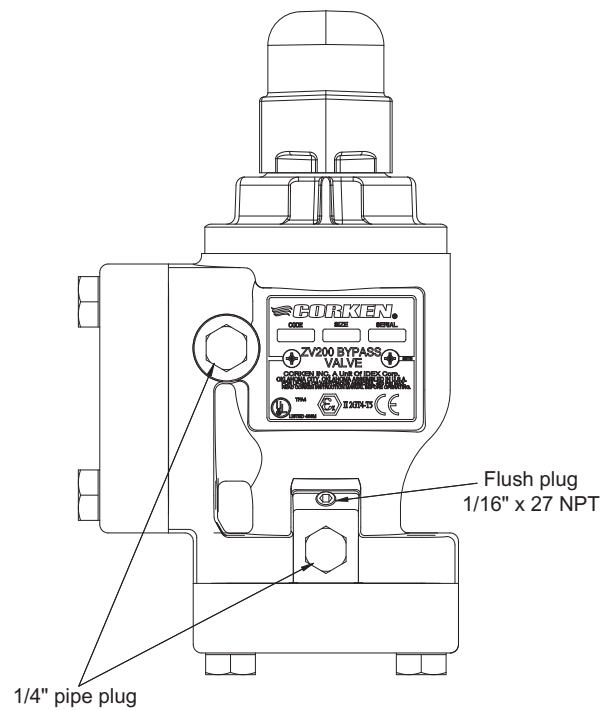
# Appendix C—Outline Dimensions for the ZV200 Bypass Valve



Discharge  
2" NPT

5363-2

Inlet  
2" NPT



All dimensions are in inches (centimeters).

# Appendix D—Parts Details For the ZV200 Bypass Valve

No.	Part No.	Description	Qty
1	7001-050NC175A	Hex head bolt	8
	5363-1.25	Flange (1.25" NPT)	2
	5363-1.5	Flange (1.5" NPT)	2
	5363-2	Flange (2" NPT)	2
2	5363-2.5	Flange (2.5" NPT)	2
	5363-1.25S	Flange (1.25" slip weld)	1
	5363-1.5S	Flange (1.5" slip weld)	1
	5363-2S	Flange (2" slip weld)	2
	5363-2.5S	Flange (2.5" slip weld)	2
3	2-234__	O-ring <sup>1</sup>	2
4	5506	Bypass valve body	1
5	5509	Relief valve (2")	1
	5511	Valve spring (91–125 psi)	1
6	5512	Valve spring (126–150 psi)	1
	5513	Valve spring (41–70 psi)	1
	5515	Valve spring (71–90 psi)	1
7	5457	Adjustment nut cap	1
8	7101-037NC01A	Hex nut	1
9	2732	Gasket	1
10	2911	Adjusting screw	1
11	5507	Bypass valve cap (2")	1
12	2-235__	O-ring <sup>1</sup>	1
13	2-223__	O-ring <sup>1</sup>	1
14	5516	Spring guide (2")	1
15	1629	Flush plug 1/16" x 27 NPT	2
16	5510	Nameplate	1
17	7012-006SF019E	Pan hd. Phillip 6-32 x 3/16"	2
18	3442	Pipe plug 1/4" NPT	4

<sup>1</sup> \_\_ denotes O-ring code. See chart below.

O-ring Code	
A	Buna-N
B	Neoprene <sup>®2</sup>
D	Viton <sup>®2</sup>
E	PTFE
G	Ethylene Propylene
K	Kalrez <sup>®2</sup>

<sup>2</sup> Registered trademarks of the DuPont company.

